

# Broil King®

---



**BARON S490**  
9225-82  
9225-83  
9225-86



**BARON 490**  
9229-82  
9229-83  
9229-86



**BARON S440**  
9225-62  
9225-63  
9225-66



**BARON 440**  
9229-62  
9229-63  
9229-66



**BARON S420**  
9225-52  
9225-53  
9225-56

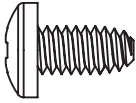
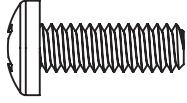

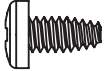
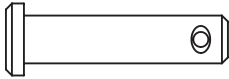

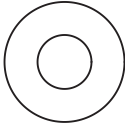
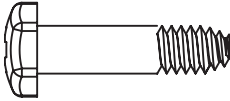
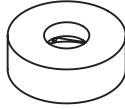
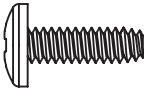
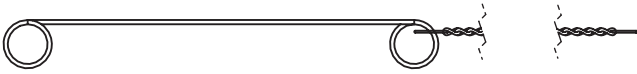



**BARON 420**  
9229-52  
9229-53  
9229-56


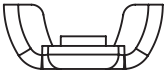


### HARDWARE INCLUDED



Y-12865		x18	Y-12310		x16	S21125		x8
Y-29304		x2	S21235		x2	S21233		x2
Y-12857		x4	Y-11551		x2	Y-12124		x2
S35094		x1	20005-000					x1
Y-11795		x4						

9229-82,83,86 / 9225-82,83,86

S35095		x2	S21061		x2
--------	---	----	--------	---	----

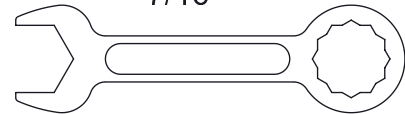
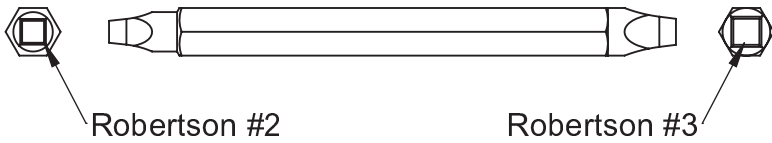


### TOOLS REQUIRED

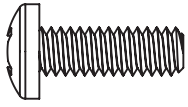


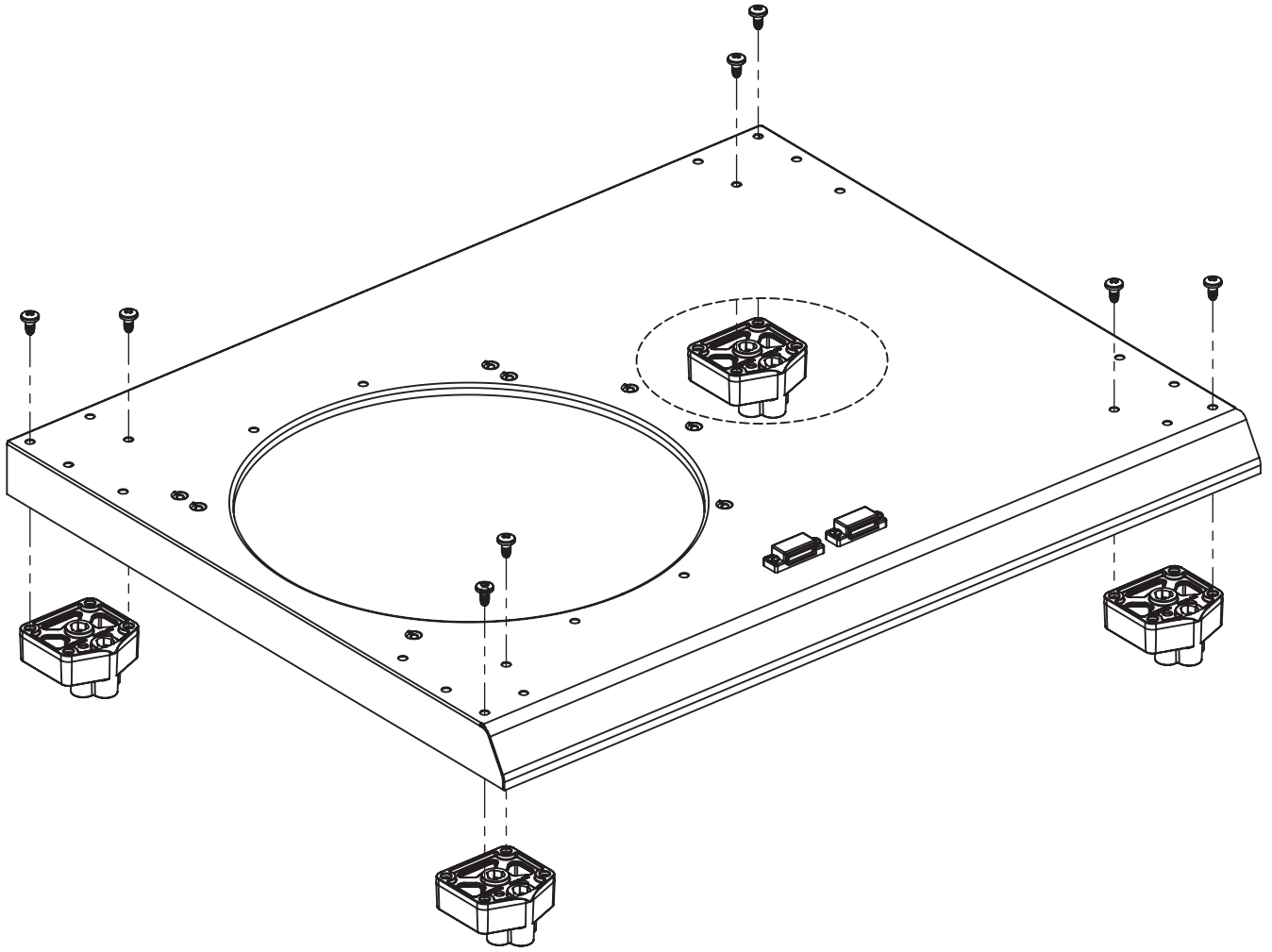
Y-31223

7/16"

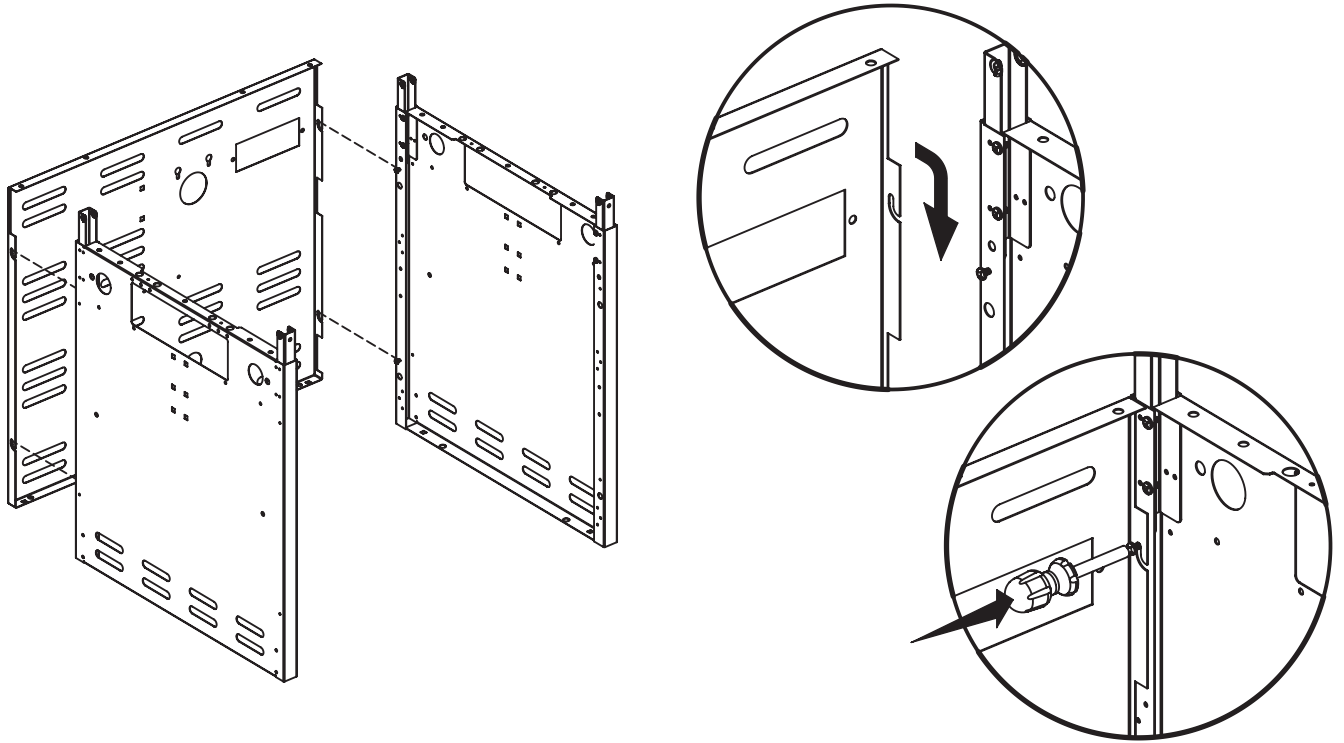


1

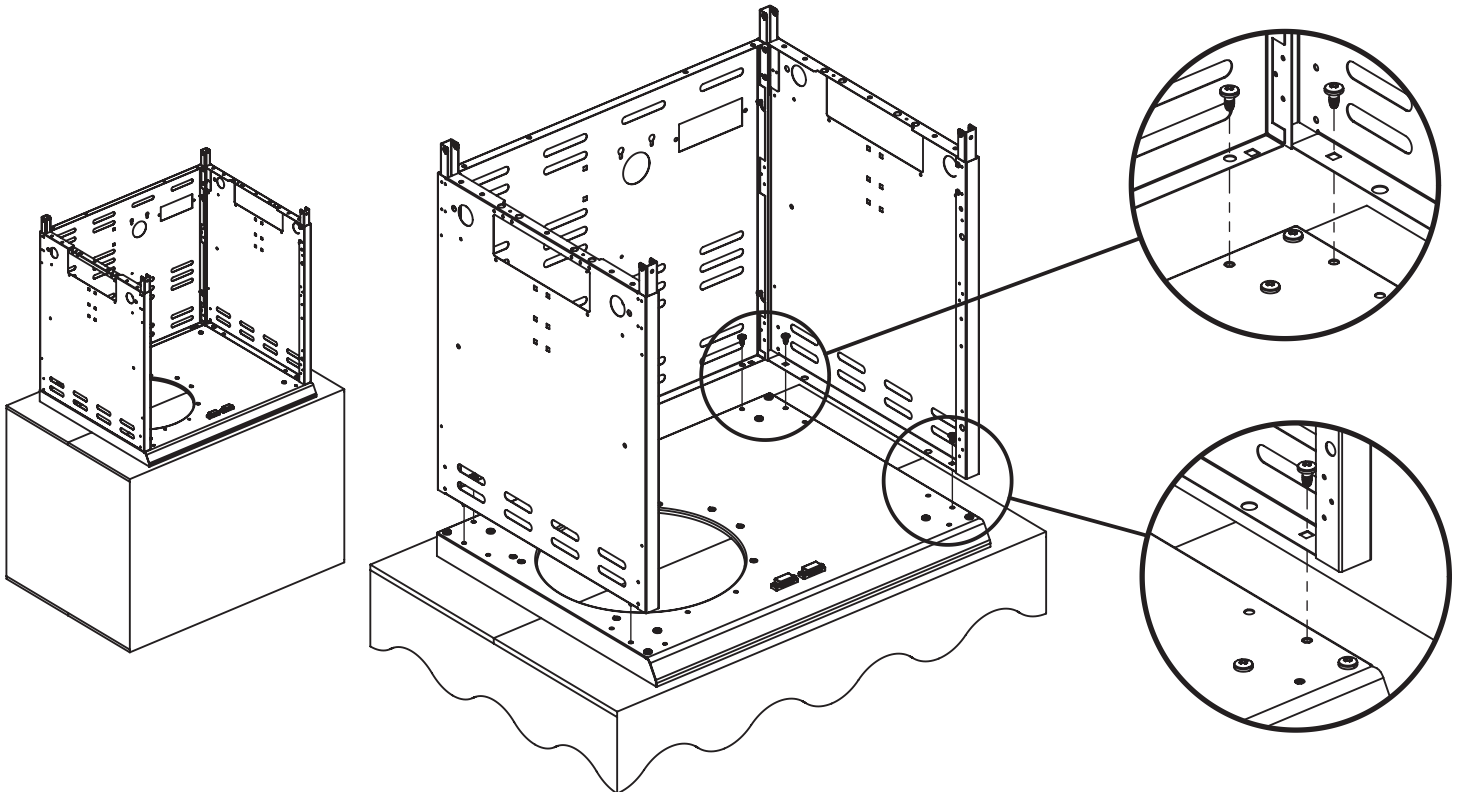
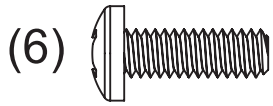
(8) 



2

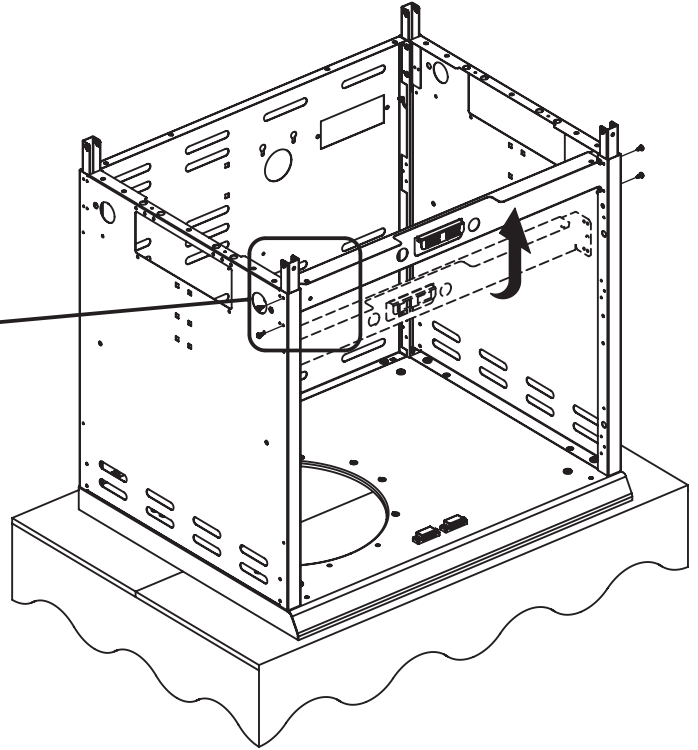
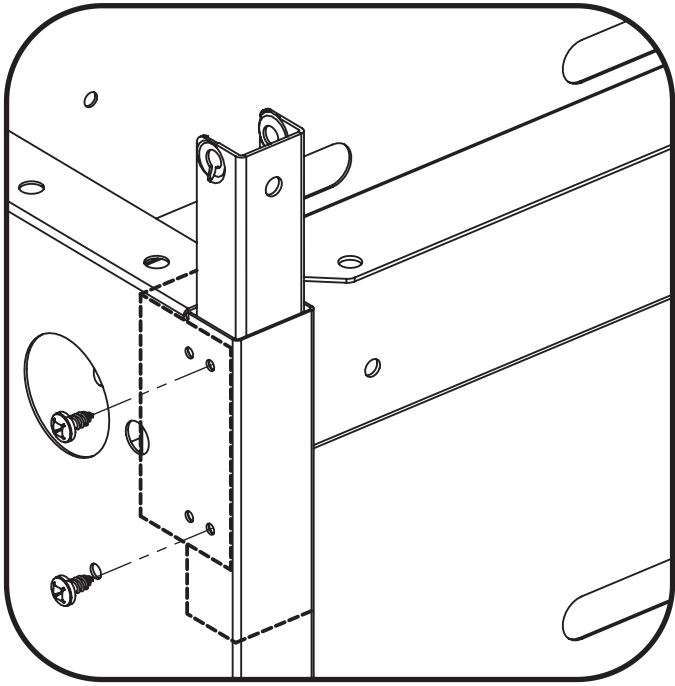


3



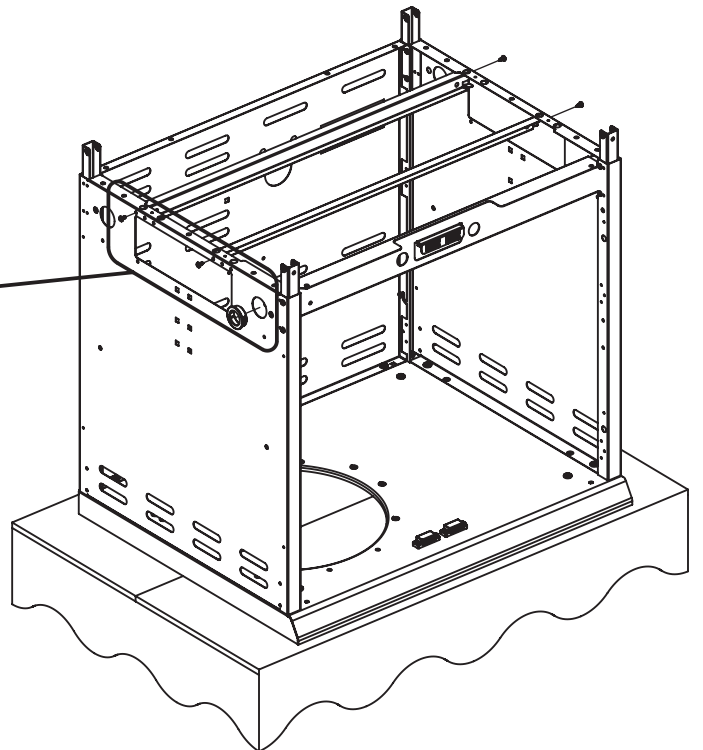
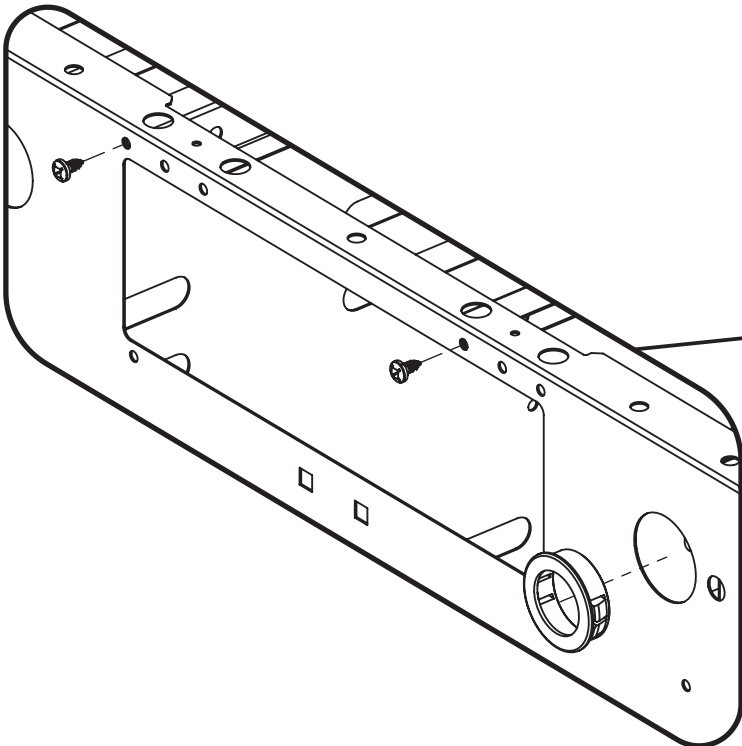
4

(4) 



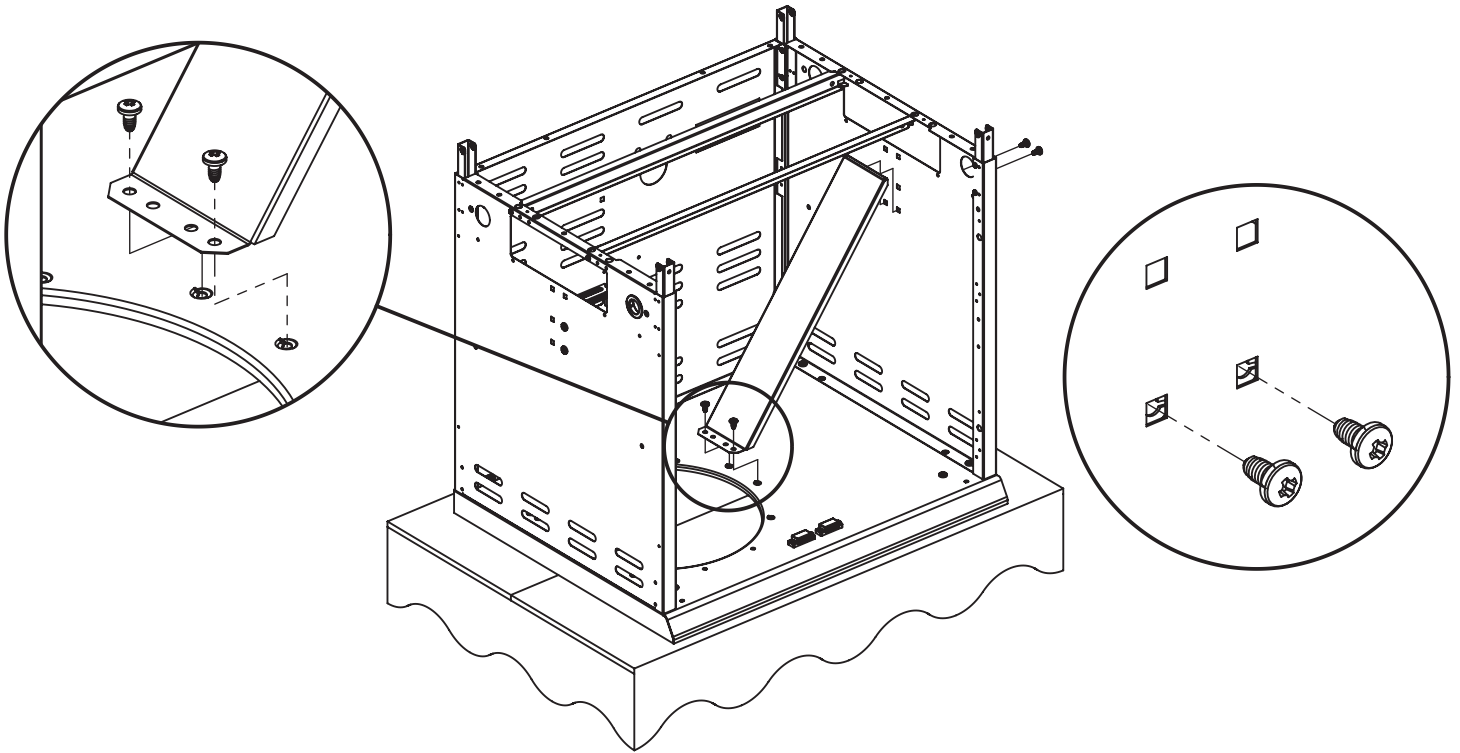
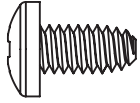
5

(4)  (1) 

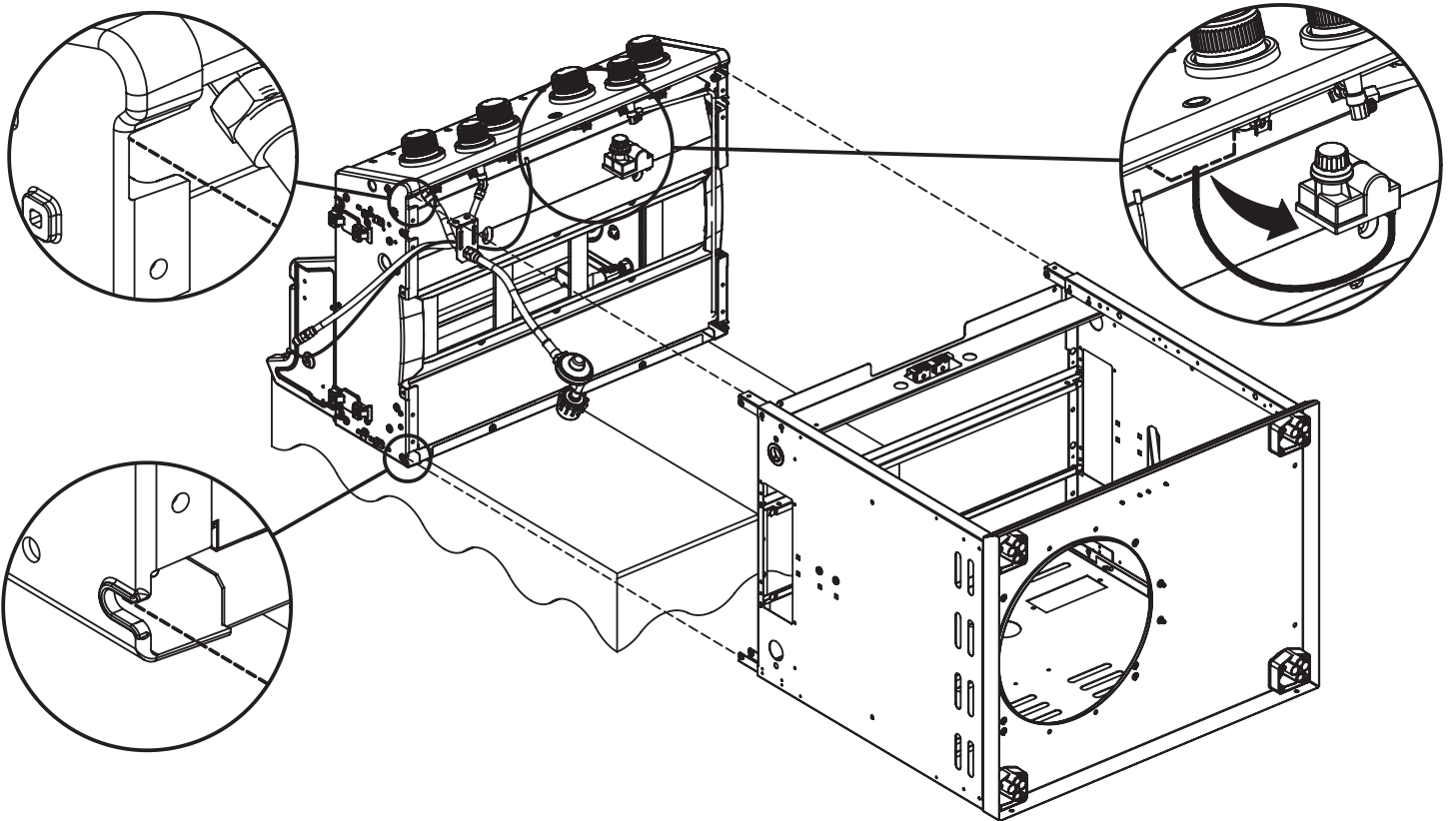


6

(4)

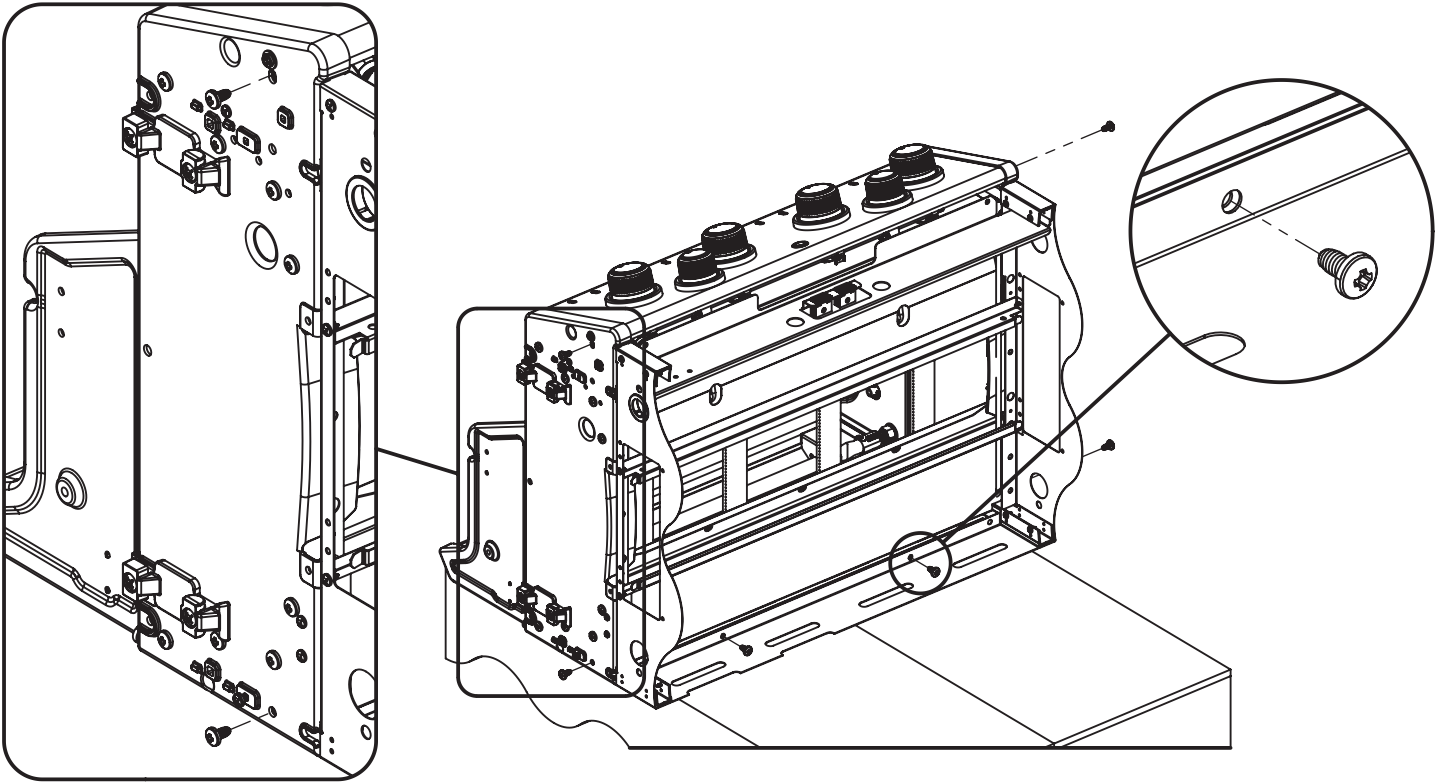
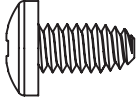


7



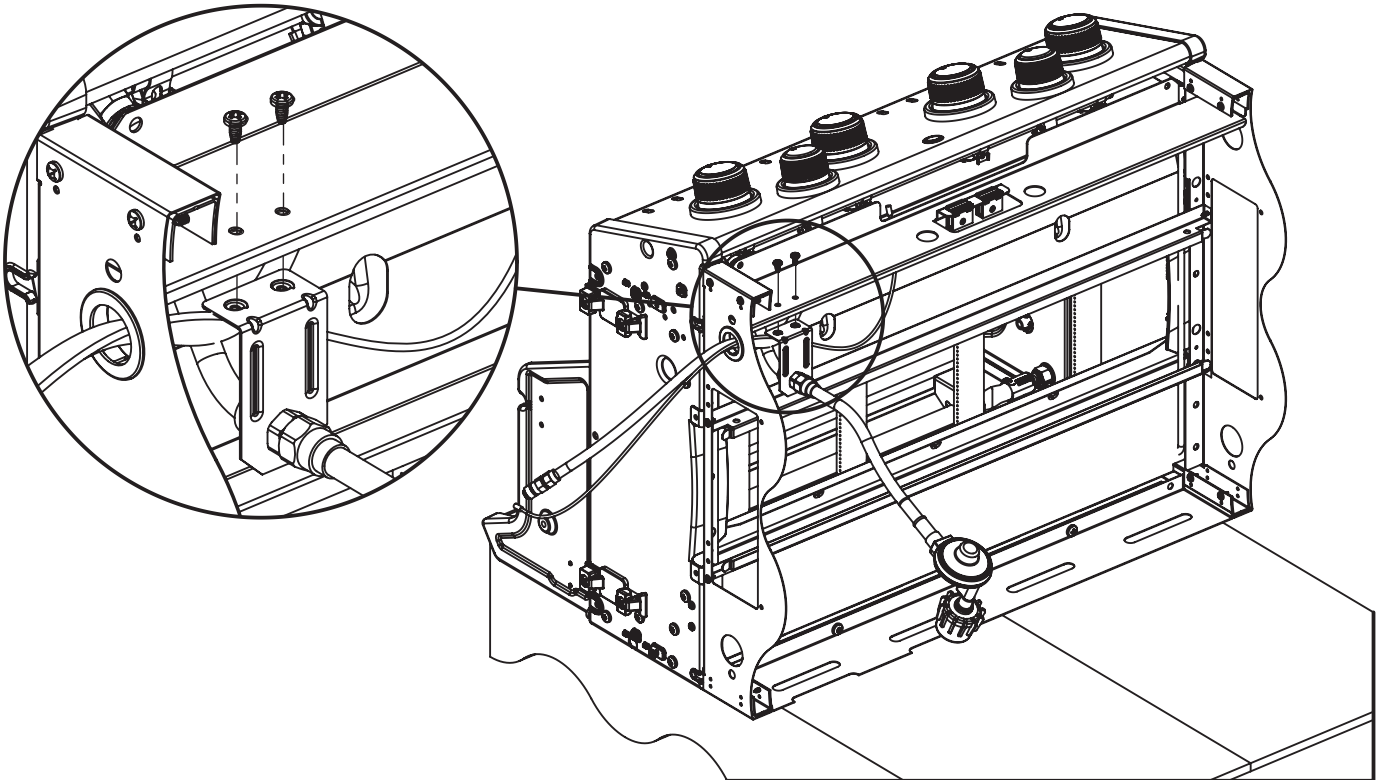
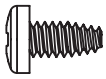
8

(6)

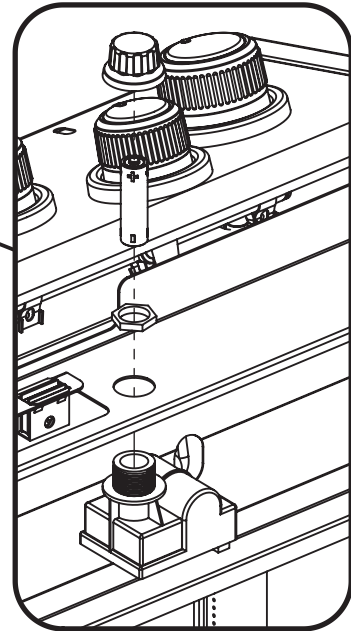
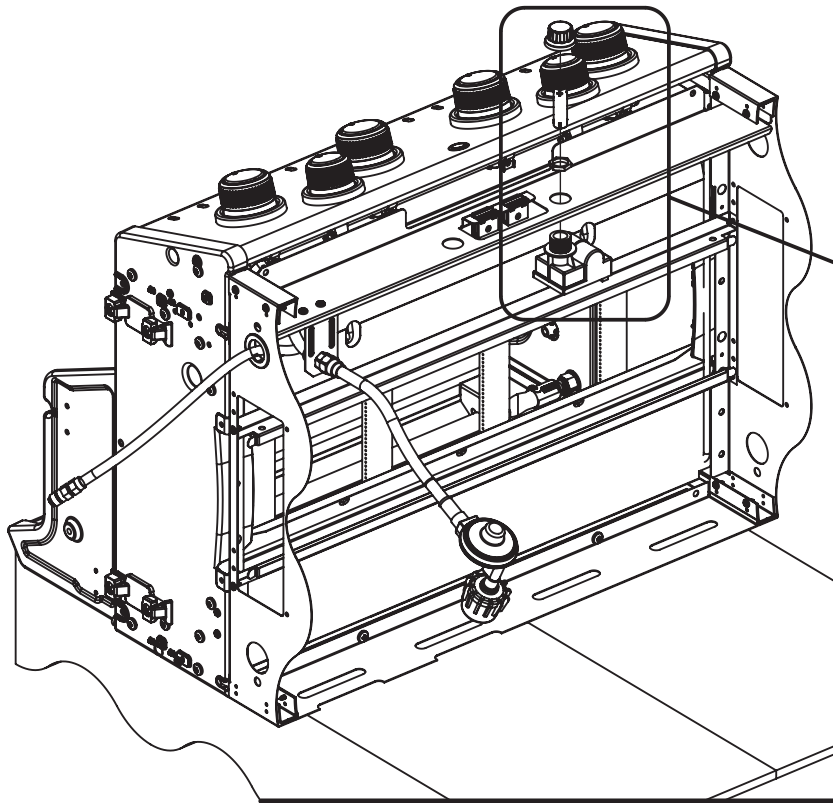


9

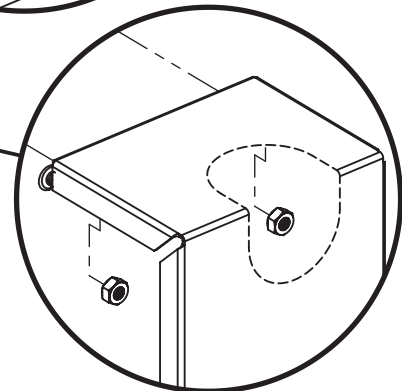
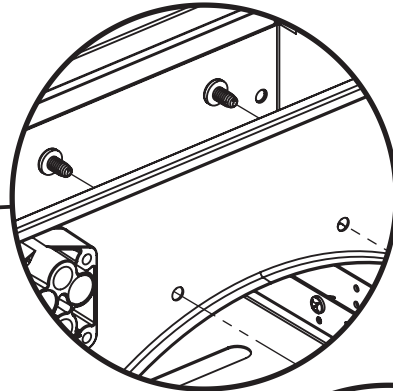
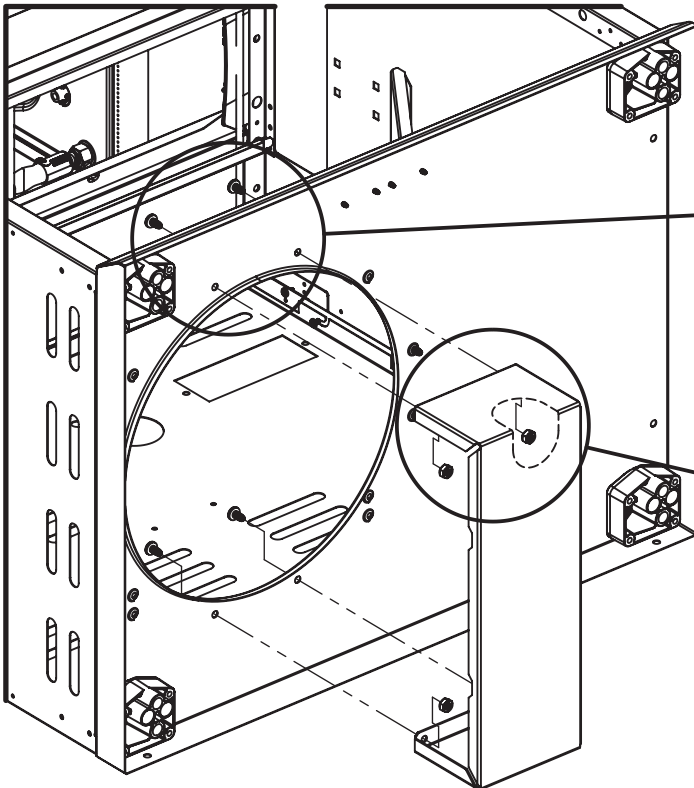
(2)



10



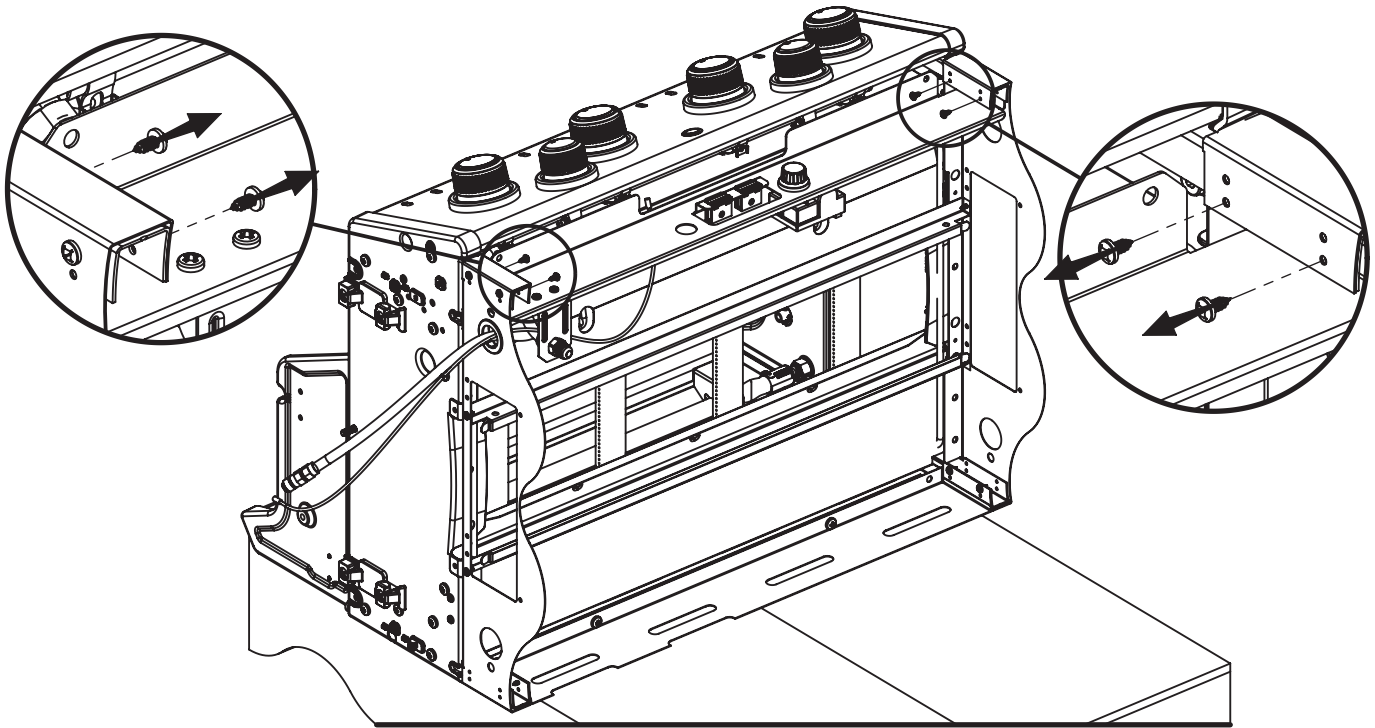
11





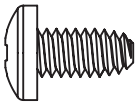
12

(4)

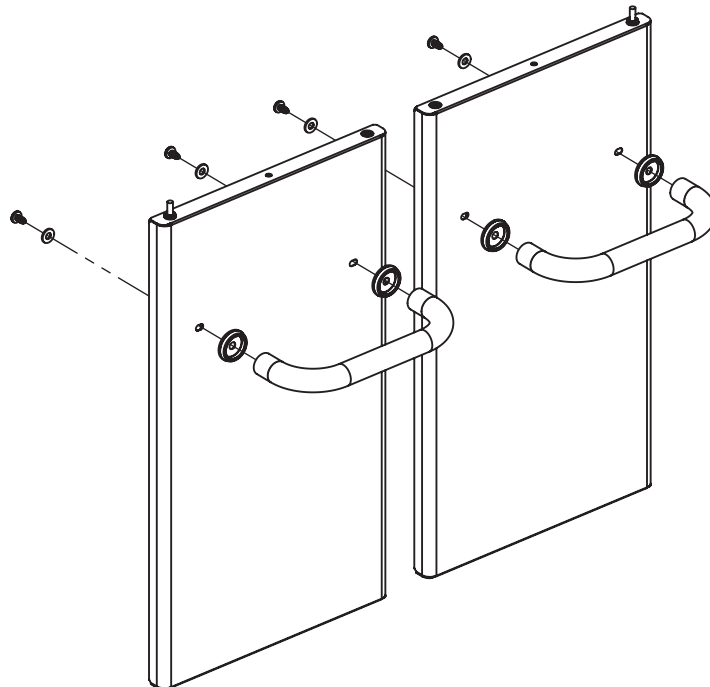
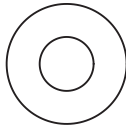


13

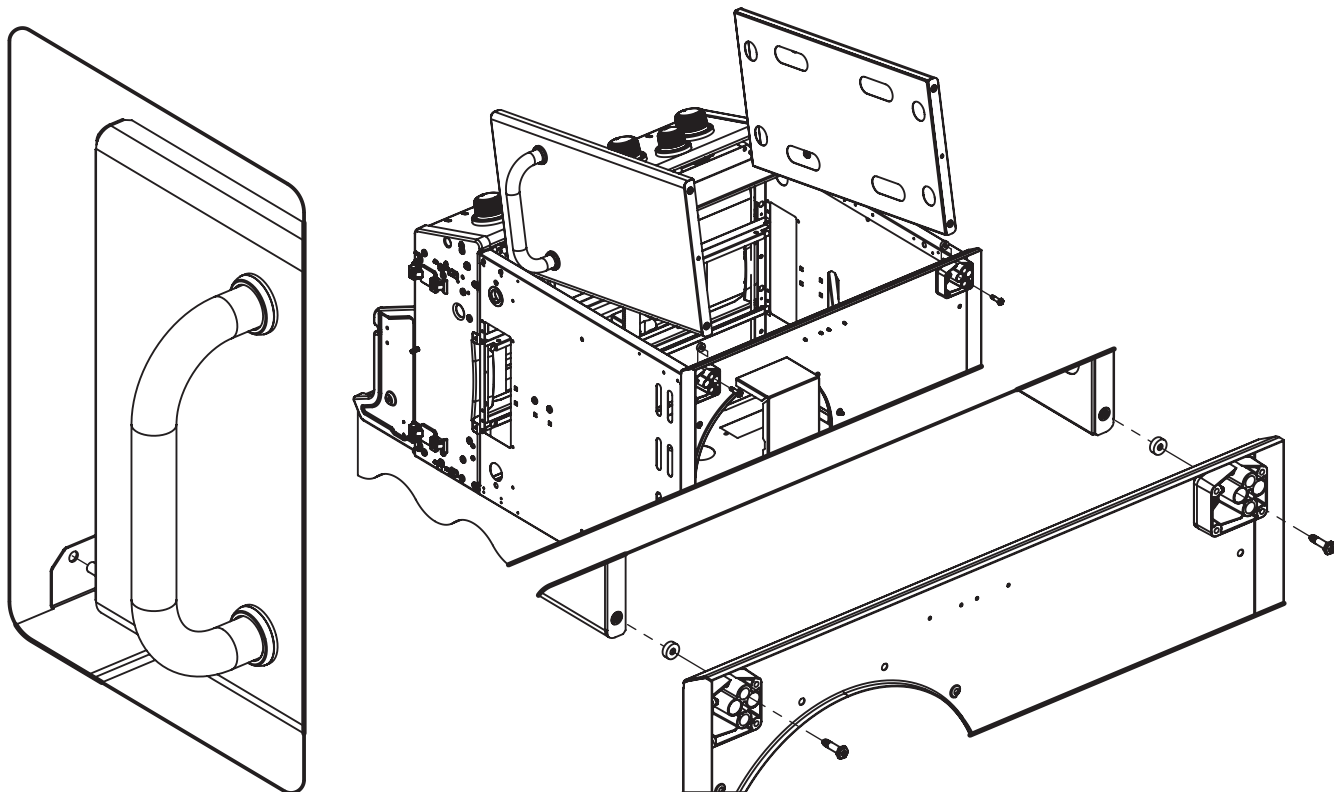
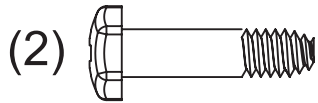
(4)



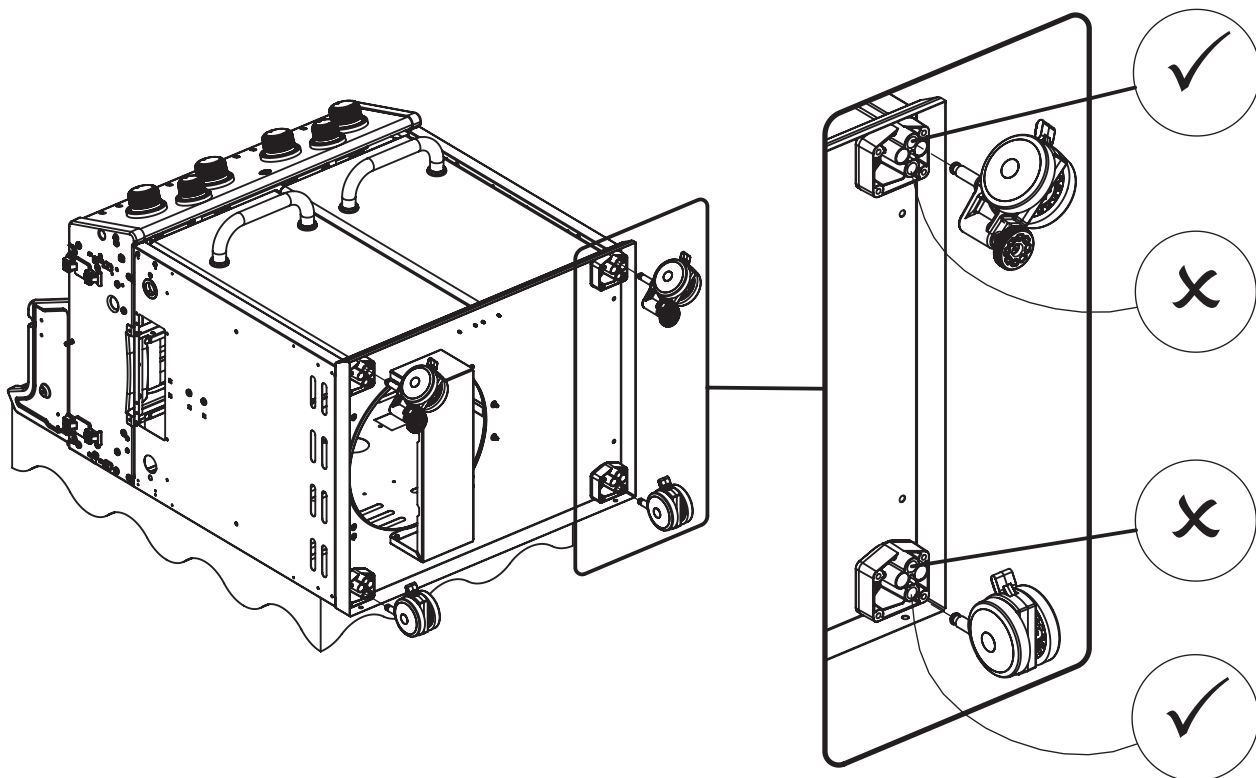
(4)



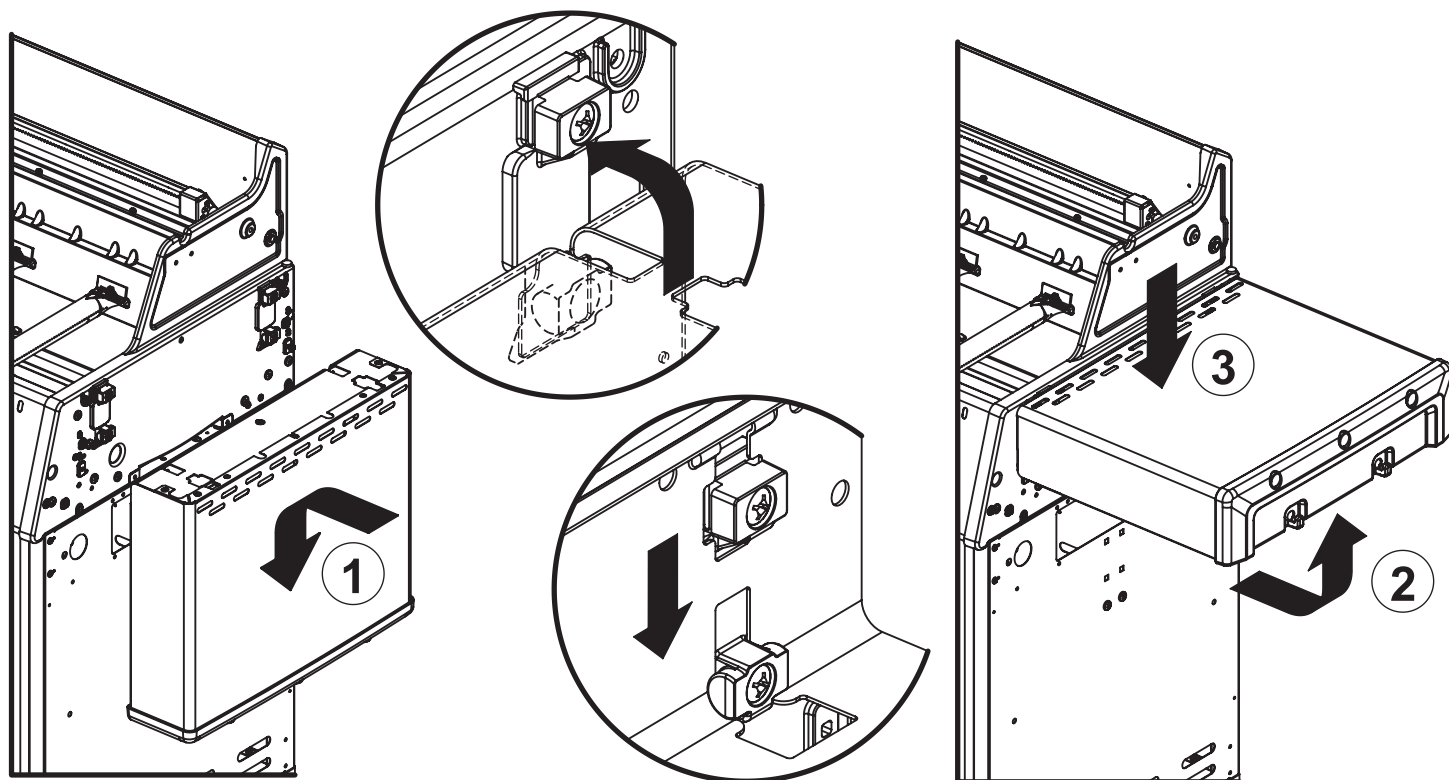
14



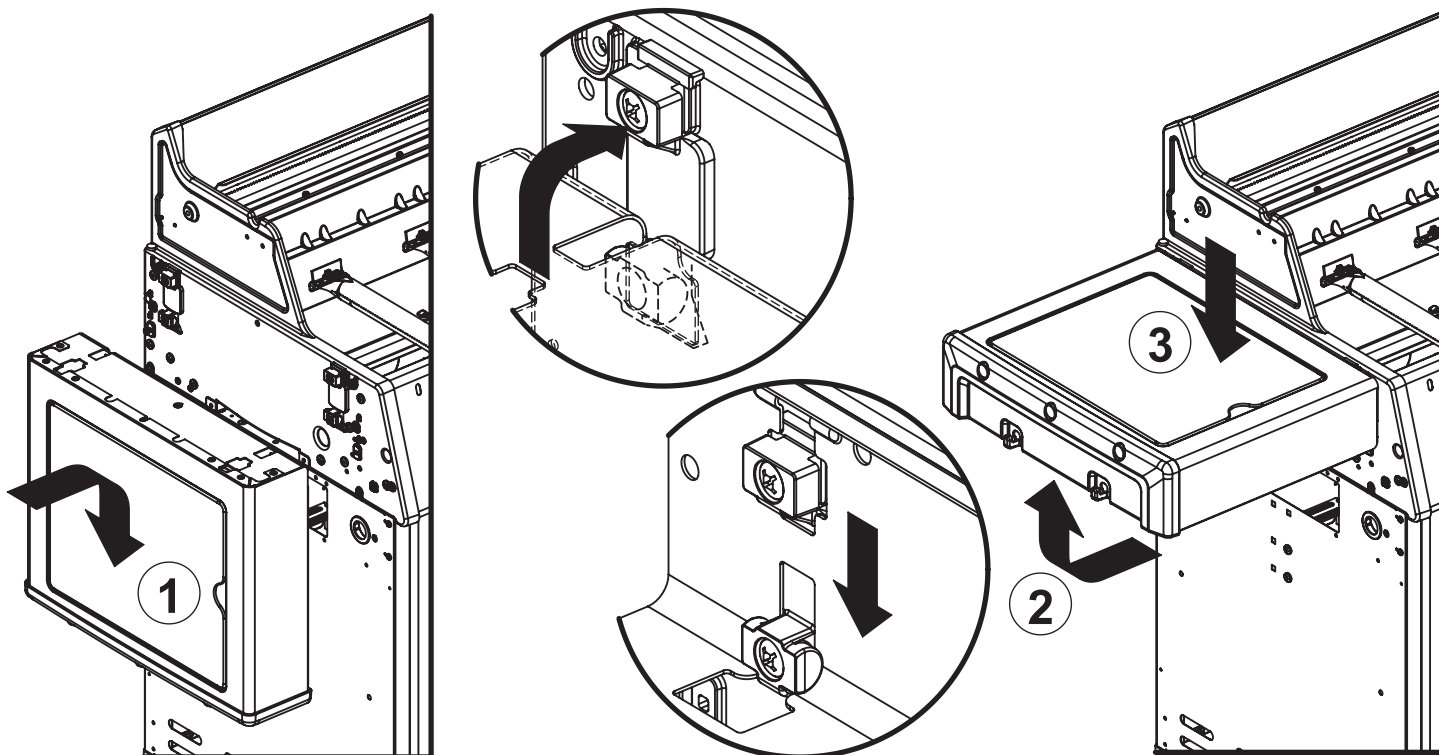
15



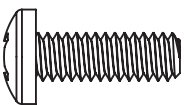
16

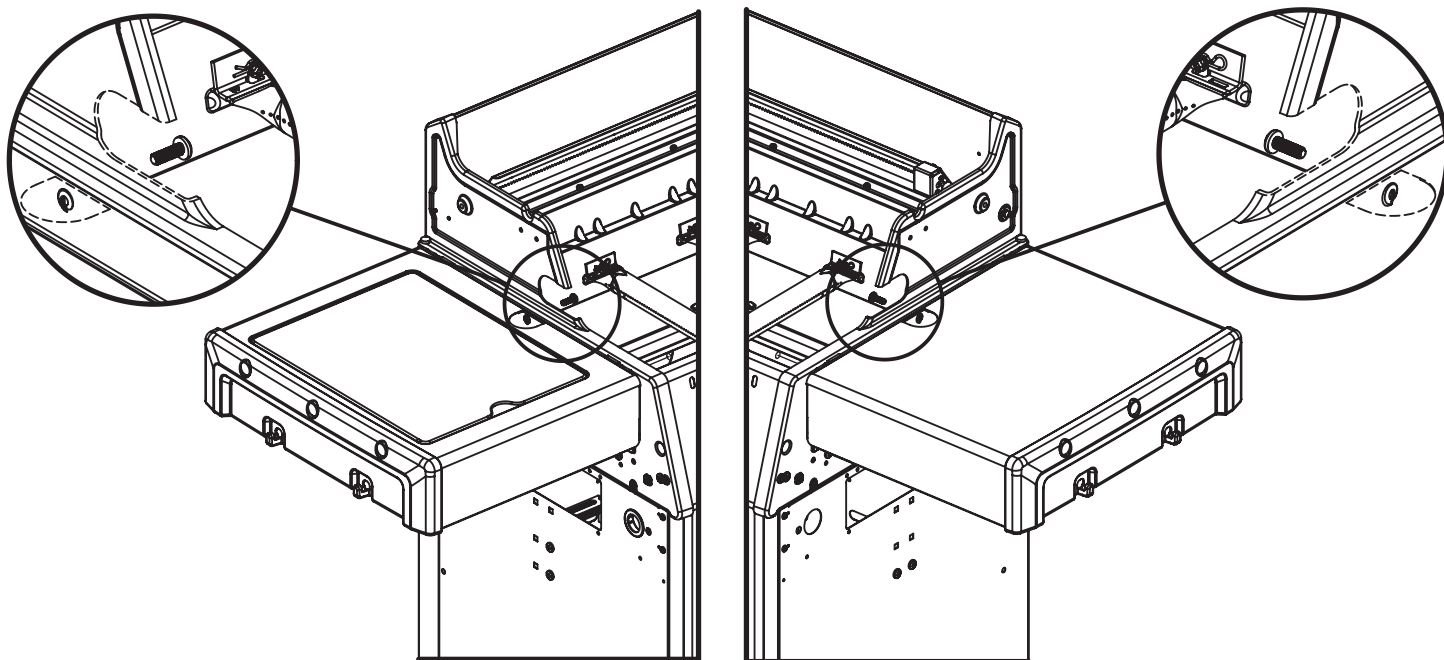


17

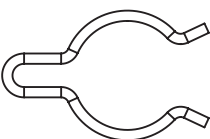


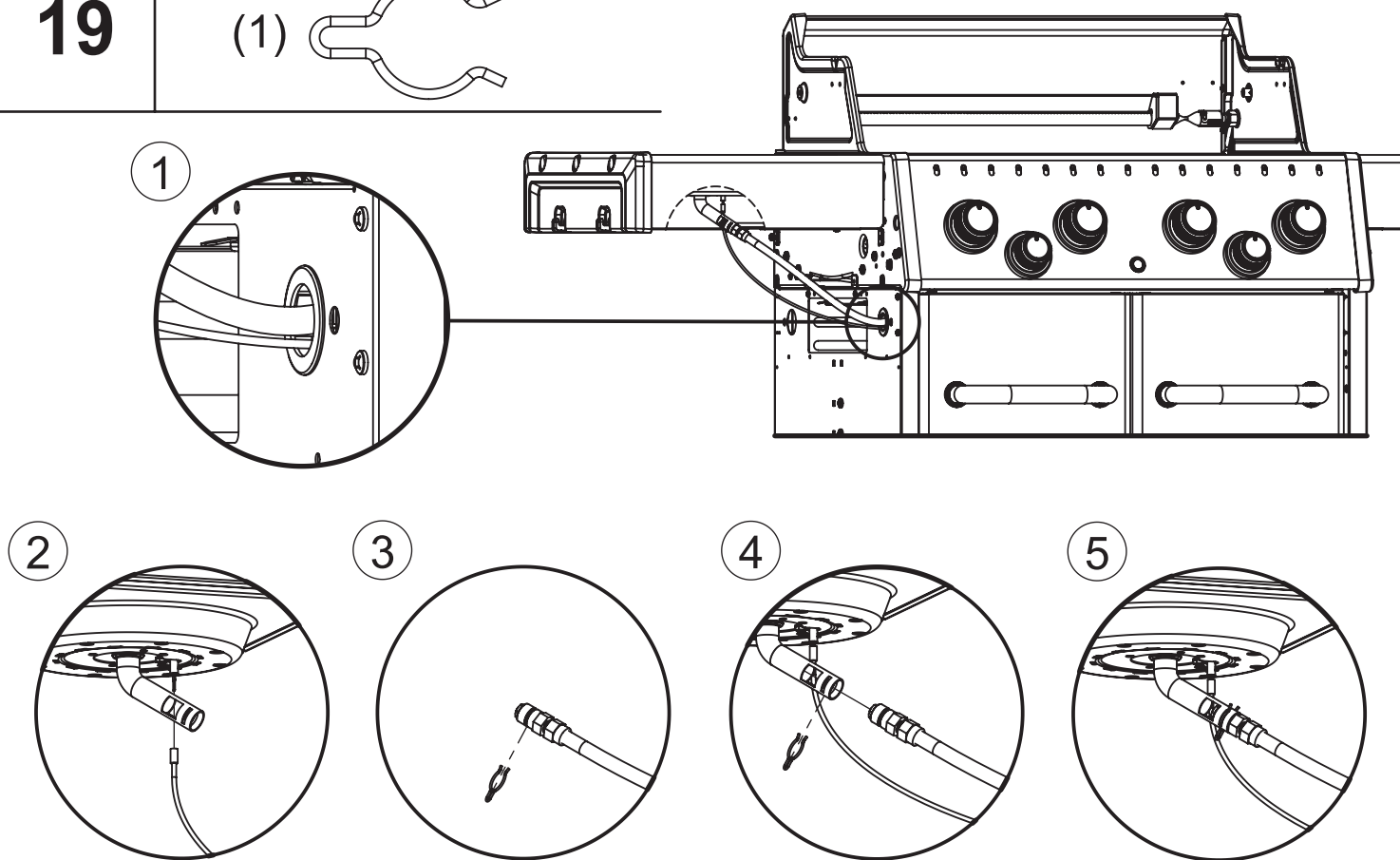
18

(2) 

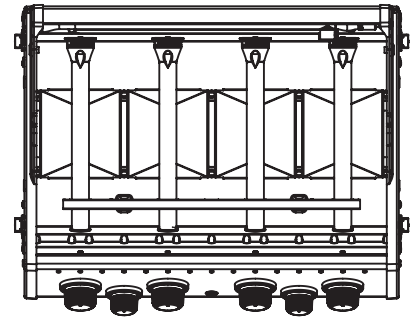
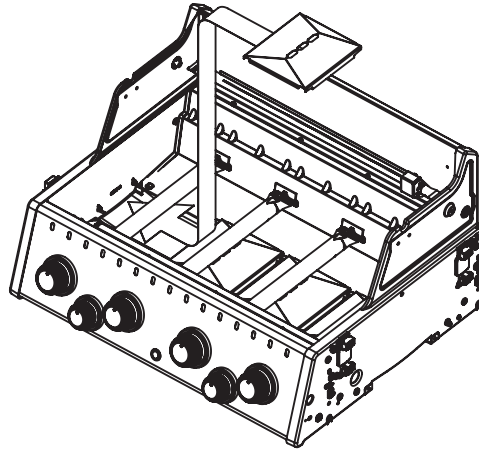
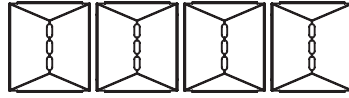
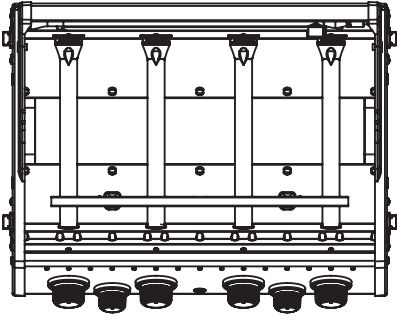


19

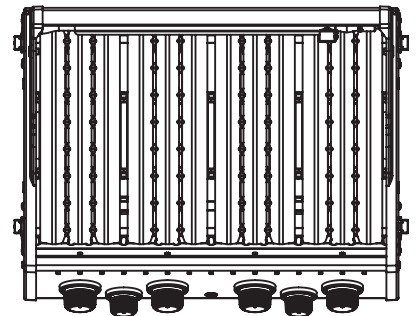
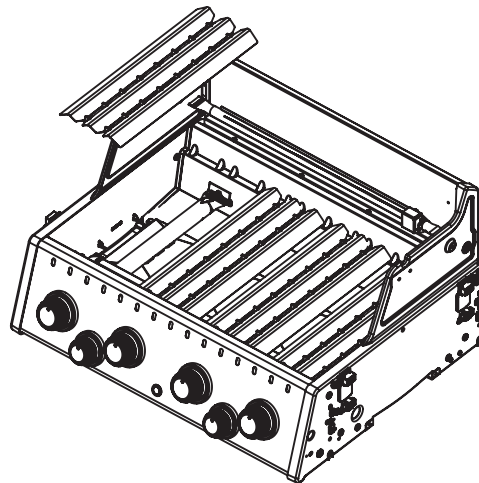
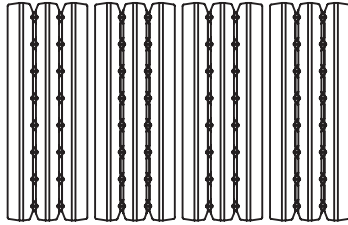
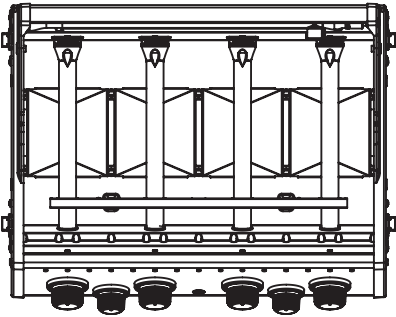
(1) 



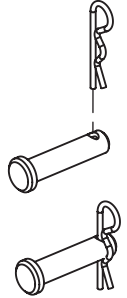
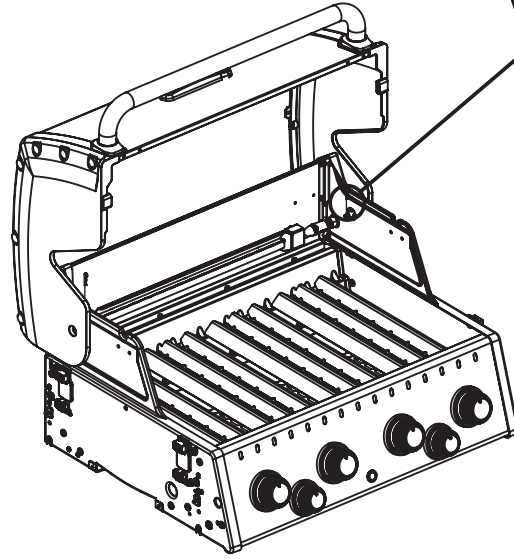
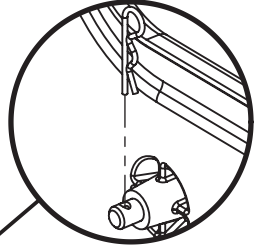
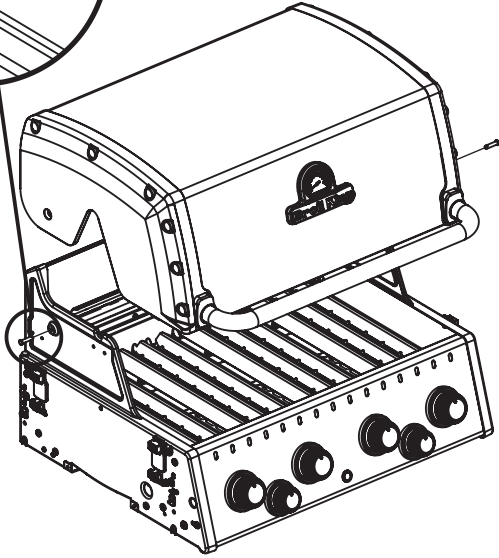
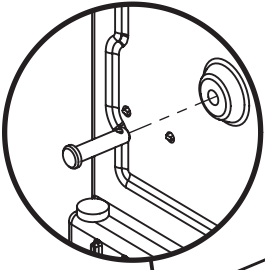
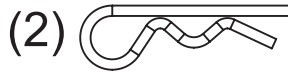
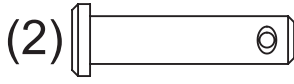
20



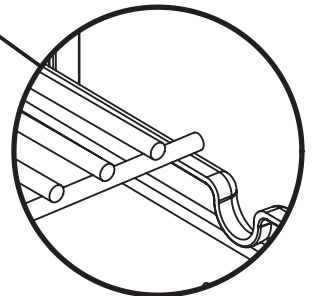
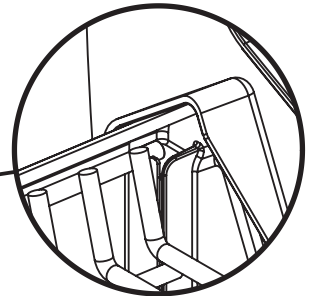
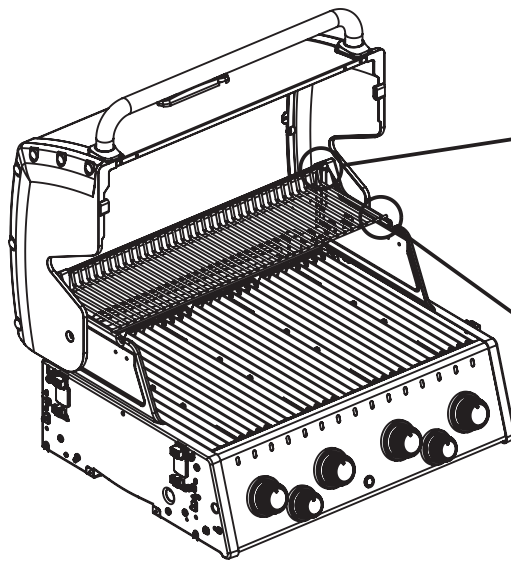
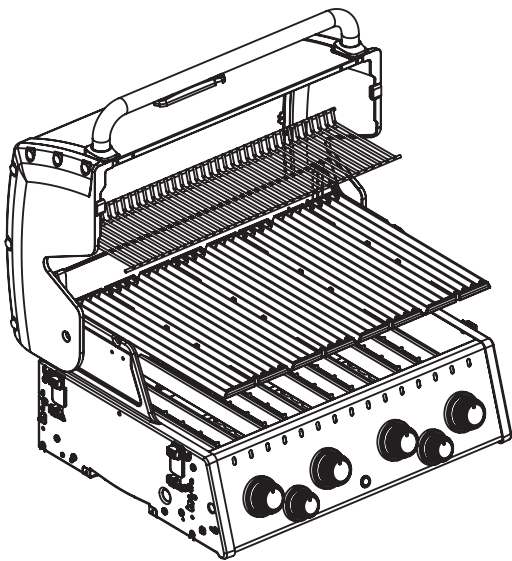
21



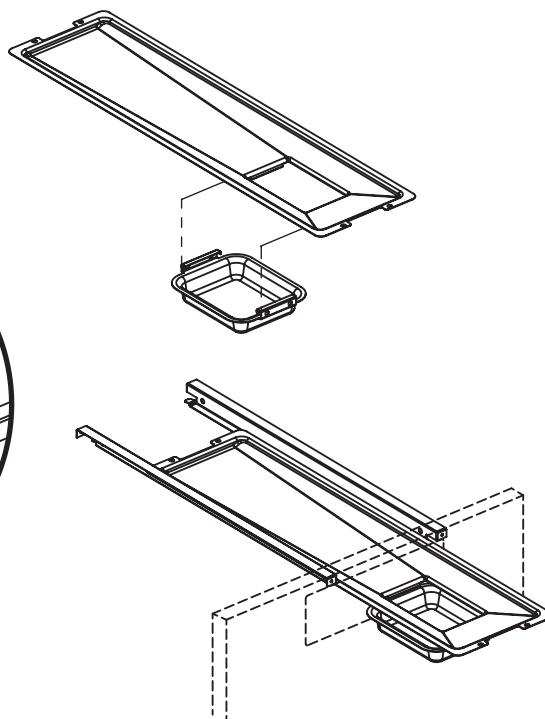
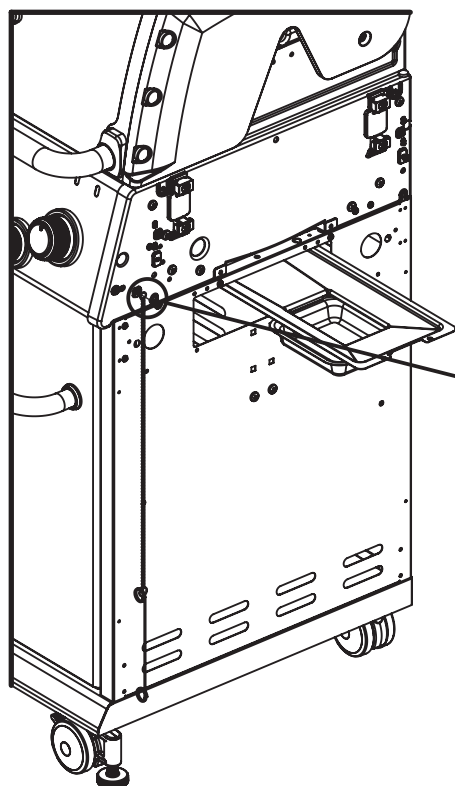
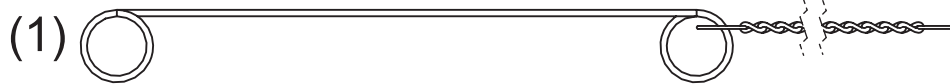
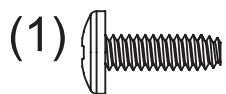
22



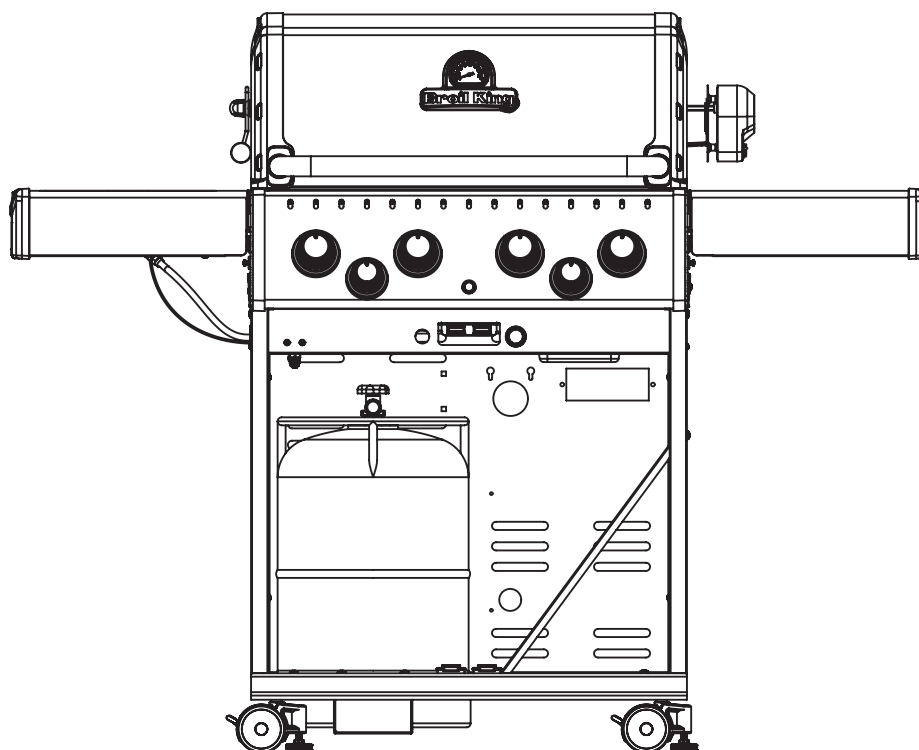
23



24



25



26

